

DH-IPC-HF8281E

2MP Starlight Ultra-smart Network Camera



Features

- 1/1.9" 2 Megapixel progressive scan Exmor CMOS
- Support H.264,MJPEG dual codec
- Smart triple streams supported
- Max 50/60ps@1080P(1920x1080)
- Ultra WDR (Wide Dynamic Range) up to 120db
- Ultra 3D DNR, Excellent performance under low illumination
- Ultra Defog, ROI, EIS
- Smart detection
- Intelligent Function
- Auto back focus(ABF)
- Micro SD memory, PoE

DH-IPC-HF8281E

Technical Specifications

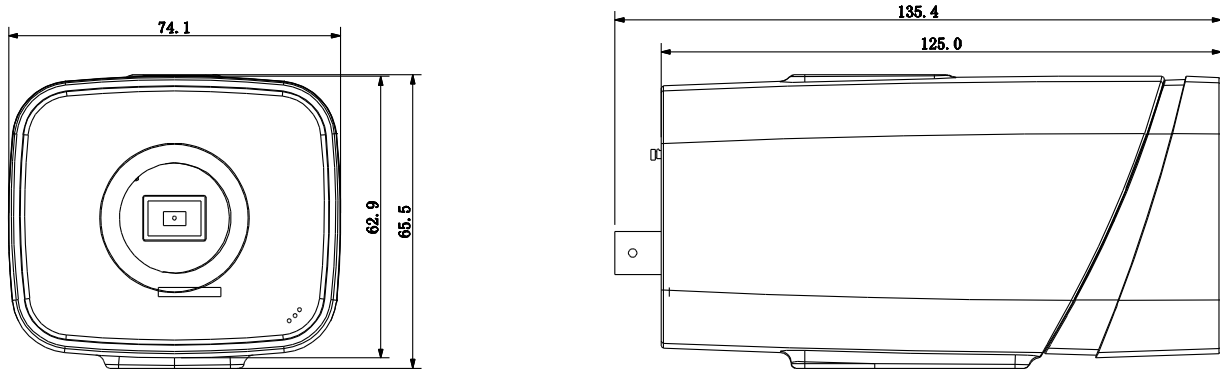
Model		DH-IPC-HF8281EP	DH-IPC-HF8281EN
Camera			
Image Sensor		1/1.9" 2Megapixel progressive scan Exmor CMOS	
Effective Pixels		1920(H)x1080(V)	
Scanning System		Progressive	
Electronic Shutter Speed		Auto/Manual, 1/3~1/10000s	Auto/Manual, 1/4~1/10000s
Min. Illumination		0.002Lux/F1.2 (Color), 0.0002Lux/F1.2(B/W)	
S/N Ratio		More than 50dB	
Video Output		1 channel BNC (1.0Vp-p, 75Ω)	
Camera Features			
Max. IR LEDs Length		N/A	
Day/Night		Auto(ICR)/Color/B/W	
Backlight Compensation		BLC / HLC / WDR(120dB)	
White Balance		Auto/Manual	
Gain Control		Auto/Manual	
Noise Reduction		3D	
Privacy Masking		Up to 4 areas	
EIS		Support	
Ultra Defog		Support	
Smart focus		ABF	
Lens			
Mount Type		C/CS	
Video			
Compression		H.264/MJPEG	
Resolution		1080P(1920×1080)/720P(1280×720)/D1(704×576)/CIF(352×288)	
Frame Rate	Main Stream	1080P/720P(1 ~ 50/60fps)	
	Sub Stream	D1/CIF(1 ~ 50/60fps)	
	Third Stream	1080P/720P(1 ~ 50/60fps)	
Bit Rate		H.264: 32K ~ 8192Kbps	
ROI		Up to 4 areas	
Audio			
Compression		G.711a / G.711u	
Interface		1/1 channel In/Out	
Smart Function			
Smart detection	Tripwire		
	Intrusion		
	Scene change		
	Missing/Abandoned		
	Audio detect		
	Face detect		

DH-IPC-HF8281E

Intelligent function	People counting
	Heat map
Network	
Ethernet	RJ-45 (10/100Base-T)
Wi-Fi	N/A
Protocol	IPv4/IPv6, HTTP, HTTPS, SSL, TCP/IP, UDP, UPnP, ICMP, IGMP, SNMP, RTSP, RTP, SMTP, NTP, DHCP, DNS, PPPOE, DDNS, FTP, IP Filter, QoS, Bonjour
Compatibility	ONVIF ,PSIA,CGI
Max. User Access	20 users
Smart Phone	iPhone, iPad, Android, Windows Phone
Auxiliary Interface	
Memory Slot	Micro SD, Max 64GB
RS485	1
Alarm	2/1 channel In/Out
General	
Power Supply	DC12V/AC24V, PoE (802.3af)
Power Consumption	Max 10W (ABF&ICR on)
Working Environment	-30°C~+60°C, Less than 95% RH
Ingress Protection	N/A
Dimensions	74.1mm×65.5mm×135.4mm
Weight	0.3Kg

DH-IPC-HF8281E

Dimensions (mm)



Accessory (optional)

		
DH-OPT-118F0418D01-IR3MP	DH-OPT-118F1250D01-IR8MP	PFB121W

Dahua Technology Co., Ltd.

1199 BinAn Road, Binjiang District, Hangzhou, China

Tel: +86-571-87688883

Fax: +86-571-87688815

Email: overseas@dahuatech.com

www.dahuatech.com

*Design and specifications are subject to change without notice.

© 2014 Dahua Technology Co., Ltd.