

# HE30XD2/HE30XD2G

TDN 1080p IR Ball Camera



HE30XD2



HE30XD2G





**HD**

OPERATIONAL	
VIDEO STANDARD	NTSC/PAL
SCANNING SYSTEM	Progressive scan
IMAGE SENSOR	1/2.9" 2 MP CMOS
NUMBER OF PIXELS (H × V)	1920 × 1080
MINIMUM ILLUMINATION	0.02 lux color @ F2.0, 0 lux B/W with IR LEDs on @ F2.0
S/N RATIO	> 65 dB
ELECTRONIC SHUTTER SPEED	NTSC: 1/30 – 1/100,000 s PAL: 1/25 – 1/100,000 s
RESOLUTION	1080p (1920 × 1080)
FRAME RATE	25/30 fps @ 1080p 25/30/50/60 fps @ 720p
VIDEO OUTPUT	1-channel BNC CVI/TVI/AHD/CVBS video output
IR DISTANCE	Up to 120 ft. (40 m), depending on scene reflectance
NUMBER OF IR LEDES	1 High Power IR LED
SMART IR	Auto/Manual
DAY/NIGHT	Auto (ICR)/Manual
BACKLIGHT COMPENSATION	BLC/HLC/DWDR
WHITE BALANCE	Auto/Manual
GAIN CONTROL	AGC
WIDE DYNAMIC RANGE	DWDR
NOISE REDUCTION	2DNR
PRIVACY MASKING	Up to 8 configurable areas
LENS	3.6 mm, fixed lens, F2.0
HORIZONTAL ANGLE OF VIEW	82.8°
AUDIO	N/A

ELECTRICAL	
POWER SUPPLY	12 VDC ±25%
POWER CONSUMPTION	2.9 W max. (IR LEDs on)
MECHANICAL	
DIMENSIONS	Ø4.17" × 3.69" (Ø106.0 mm × 93.7 mm)
PRODUCT WEIGHT	0.97 lb. (0.44 kg)
PACKAGE WEIGHT	0.90 lb. (0.41 kg)
CONSTRUCTION	Die-cast aluminum housing with powder coat
CONSTRUCTION COLOR	HE30XD2: RAL 9003 (White) HE30XD2G: RAL 7022 (Gray)
ENVIRONMENTAL	
OPERATING TEMPERATURE	-40°F to 140°F (-40°C to 60°C)
COLD START	Startup should be done at above -40°F (-40°C)
STORAGE TEMPERATURE	-40°F to 140°F (-40°C to 60°C)
RELATIVE HUMIDITY	Less than 90%, non-condensing
INGRESS PROTECTION	IP66
REGULATORY	
EMISSIONS	EN55032, ANSI C63.4-2014
IMMUNITY	EN50130-4
SAFETY	EU: EN60950-1
ROHS	EN50581

# TDN 1080p IR Ball Cameras

## RECOMMENDED ACCESSORIES

SYSTEM COMPATIBILITY		HOUSING AND MOUNTS	
HRHQ104* HQA DVRS	4-channel, 720p@120/100 fps, 1080p@60/50 fps, 1 SATA, alarm I/O	HQA-WK	 Wall Mount Adapter
HRHQ108* HQA DVRS	8-channel, 720p@240/200 fps, 1080p@120/100 fps, 2 SATA, alarm I/O	HQA-PM2**	 Pole Mount Adapter
HRHQ116* HQA DVRS	16-channel, 720p@480/400 fps, 1080p@240/200 fps, 2 SATA, alarm I/O	HQA-BB3	 Junction Box (Off-White), HE30XD2 only
		HQA-BB3G	 Junction Box (Gray), HE30XD2G only

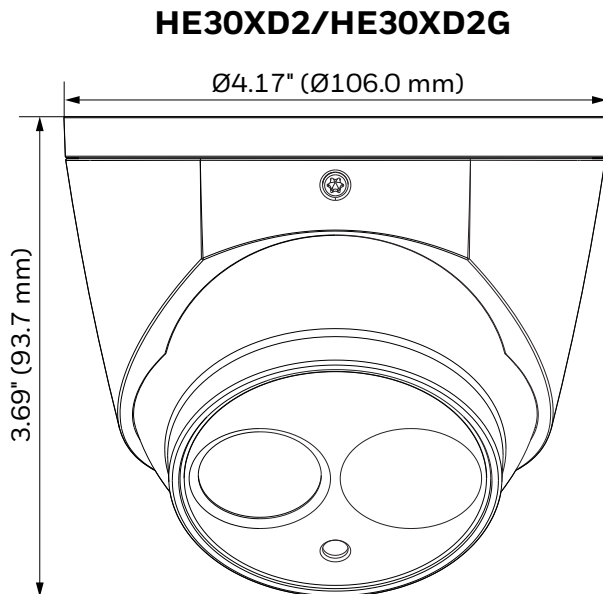
\* Pre-installed storage (TB).

\*\* The HQA-BB3 or HQA-BB3G junction box must be used when installing the camera to HQA-PM2.

## ORDERING

HE30XD2	TDN 1080p IR Ball Camera, 1/2.9" 2 MP CMOS, 3.6 mm Fixed Lens, 1 High Power IR LEDs, 12 VDC, IP66, Off-White
HE30XD2G	TDN 1080p IR Ball Camera, 1/2.9" 2 MP CMOS, 3.6 mm Fixed Lens, 1 High Power IR LEDs, 12 VDC, IP66, Gray

## DIMENSIONS



### For more information

[www.honeywell.com/security](http://www.honeywell.com/security)

### Honeywell Security and Fire

2700 Blankenbaker Pkwy, Suite 150

Louisville, KY 40299

1.800.323.4576

[www.honeywell.com](http://www.honeywell.com)

Honeywell reserves the right, without notification, to make changes in product design or specifications.

L/HE30XD2ND/D | 11/17  
© 2017 Honeywell International Inc.

**Honeywell**