

THC-T180-M 8 MP Camera



- 8 MP turret camera
- EXIR 2.0: advanced infrared technology with 30 m IR distance
- Water and dust resistant (IP67)
- 4 in 1 (4 signals switchable TVI/AHD/CVI/CVBS).

▪ Specification

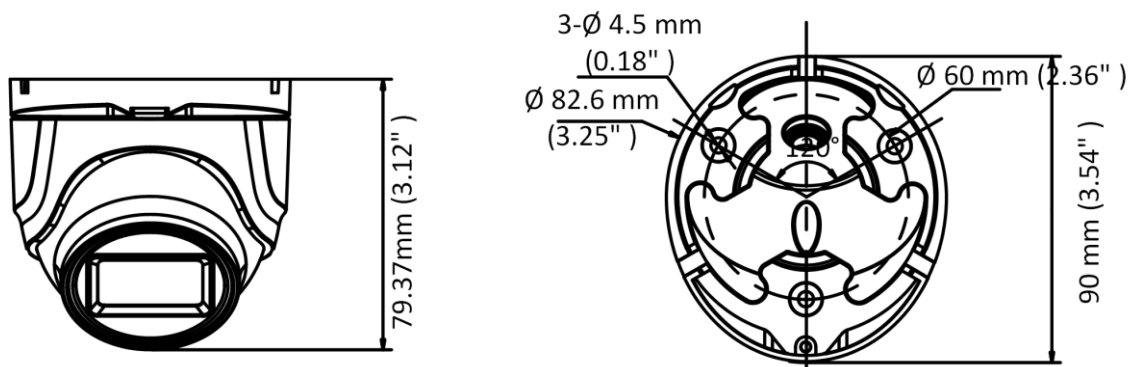
Model	THC-T180-M	
Camera	Image Sensor	8.29 MP CMOS
	Signal System	PAL/NTSC
	Frame Rate	TVI: 8MP@12.5fps, 8MP@15fps, 4MP@25fps, 4MP@30fps, 2MP@25fps, 2MP@30fps AHD: 8MP@15fps CVI: 8MP@12.5fps, 8MP@15fps CVBS: PAL/NTSC
	Resolution	3840 (H) × 2160 (V)
	Min. illumination	0.01 Lux@(F1.2, AGC ON), 0 Lux with IR
	Shutter Time	PAL: 1/12.5 s to 1/50, 000 s NTSC: 1/15 s to 1/50, 000 s
	Lens	2.8 mm, 3.6 mm, 6 mm fixed lens
	Horizontal Field of View	102.9° (2.8 mm), 79° (3.6 mm), 44.7° (6 mm)
	Lens Mount	M12
	Day & Night	ICR
	WDR (Wide Dynamic Range)	Digital WDR
	Angle Adjustment	Pan: 0 to 360°, Tilt: 0 to 75°, Rotation: 0 to 360°
Menu	Image Mode	STD/HIGH-SAT
	AGC	Yes
	Day/Night Mode	Auto/Color/BW (Black and White)
	White Balance	Auto/Manual
	HLC	Yes
	BLC (Backlight Compensation)	Yes
	Language	English
	Functions	Brightness, Sharpness, Smart IR
Interface	Video Output	Switchable TVI/AHD/CVI/CVBS
General	Operating Condition	-40 °C to 60 °C (-40 °F to 140 °F), humidity: 90% or less (non-condensation)
	Power Supply	12 VDC ± 25% *You are recommended to use one power adapter to supply the power for one camera.
	Power Consumption	Max. 2.9 W
	Protection Level	IP67
	Material	Metal
	IR Range	Up to 30 m

Communication	HIKVISION-C
Dimensions	82.6 mm × 90 mm × 79.37 mm (3.25" × 3.54" × 3.12")
Weight	Approx. 300 g (0.66 lb.)

▪ Available Model

THC-T180-M(2.8mm)(Hilook UK),THC-T180-M(3.6mm)(Hilook UK),

▪ Dimension



▪ Accessory

▪ Optional

DS-1272ZJ-110-T RS Wall mount	DS-1275ZJ-SUS Vertical pole mount	DS-1276ZJ-SUS Corner mount	DS-1280ZJ-XS Junction box
